

51 mm (2") photomultiplier

9879B series data sheet

1 description

The 9879B is a 51mm (2") diameter end window photomultiplier, with S20 infra-red sensitive photocathode on a sandblasted window for enhanced cathode sensitivity, and 12 BeCu dynodes of linear focused design for good linearity and timing.

2 applications

- film scanners
- pollution monitoring

3 features

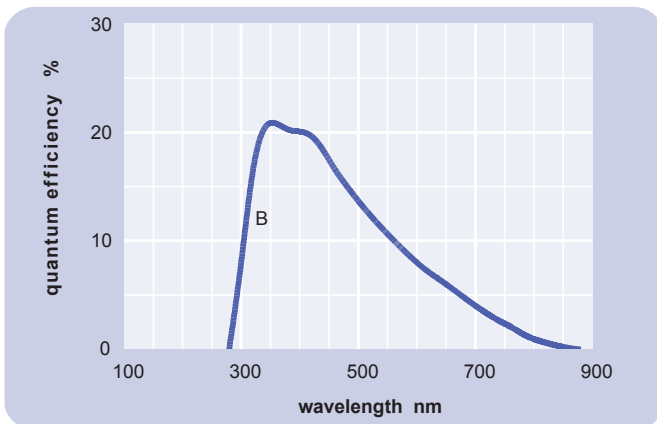
- high pulsed linearity
- low afterpulsing

4 window characteristics

	9879B borosilicate
spectral range *(nm)	290 - 870
refractive index (n _d)	1.49
K (ppm)	300
Th (ppb)	250
U (ppb)	100

* wavelength range over which quantum efficiency exceeds 1 % of peak

5 typical spectral response curves

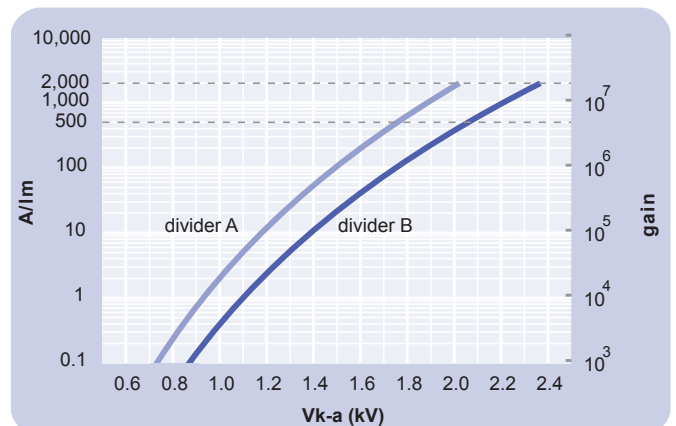


6 characteristics

	unit	min	typ	max
photocathode: S20				
active diameter	mm		46	
quantum efficiency at peak	%		21	
luminous sensitivity	μA/lm	110	200	
with CB filter			9	
with CR filter			90	
with IR filter			12	
dynodes: 12LFBcCu				
anode sensitivity in divider A:				
nominal anode sensitivity	A/lm		500	
max. rated anode sensitivity	A/lm		2000	
overall V for nominal A/lm	V		1750	2200
overall V for max. rated A/lm	V		2000	
gain at nominal A/lm	x 10 ⁶		2.5	
dark current at 20 °C:				
dc at nominal A/lm	nA		10	100
dc at max. rated A/lm	nA		40	
dark count rate	s ⁻¹		15000	
pulsed linearity (-5% deviation):				
divider A	mA		50	
divider B	mA		150	
rate effect (I_a for Δg/g=1%):				
	μA		1	
magnetic field sensitivity:				
the field for which the output decreases by 50 %				
most sensitive direction	T x 10 ⁻⁴		1	
temperature coefficient:				
	% °C ⁻¹		± 0.5	
timing:				
single electron rise time	ns		2	
single electron fwhm	ns		3	
single electron jitter (fwhm)	ns		2.2	
transit time	ns		41	
weight:				
	g		130	
maximum ratings:				
anode current	μA			100
cathode current	nA			1000
gain	x 10 ⁶		10	
sensitivity	A/lm		2000	
temperature	°C	-80		60
V (k-a) ⁽¹⁾	V			2800
V (k-d1)	V			500
V (d-d) ⁽²⁾	V			450
ambient pressure (absolute)	kPa			202

⁽¹⁾ subject to not exceeding max. rated sensitivity ⁽²⁾ subject to not exceeding max rated V(k-a)

7 typical voltage gain characteristics



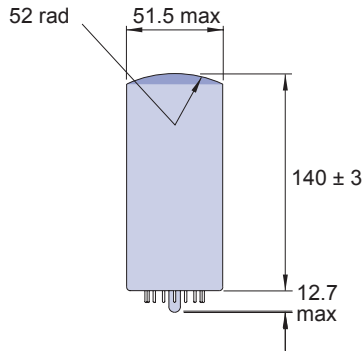
8 voltage divider distribution

	k	d ₁	d ₂	d ₈	d ₉	d ₁₀	d ₁₁	d ₁₂	a	
A	300V	R		R	R	R	R	R	R	Standard
B	300V	R		R	R	1.25R	1.5R	2R	3R	High Pulsed Linearity

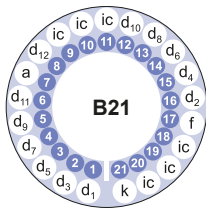
note: focus connected to d₁

Characteristics contained in this data sheet refer to divider A unless stated otherwise.

9 external dimensions mm



10 base configuration (viewed from below)



'ic' indicates an internal connection

note: connect f to d₁

Our range of B21 sockets, available for this series, includes versions with or without a mounting flange, and versions with contacts for mounting directly onto printed circuit boards.

11 handling instructions

The window of this pmt has been specially cleaned to give maximum efficiency. It should not be touched with fingers or allowed to come into contact with oil or grease. The window can be cleaned with isopropyl alcohol to remove oil deposits.

12 ordering information

The 9879B meets the specification given in this data sheet. You may order **variants** by adding a suffix to the type number. You may also order **options** by adding a suffix to the type number. You may order product with **specification options** by discussing your requirements with us. If your selection option is for one-off order, then the product will be referred to as 9879A. For a repeat order, ET Enterprises will give the product a two digit suffix after the letter B, for example B21. This identifies your specific requirement.

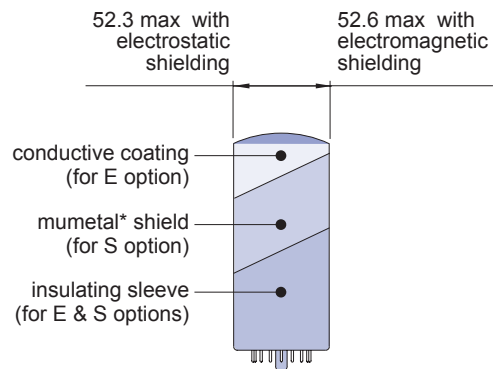
9879

options

- E** electrostatic shielding
see drawing below
- S** electromagnetic shielding
see drawing below
- M** supplied with spectral response calibration

specification options

- B** as given in data sheet
- A** single order to selected specification
- Bnn** repeat order to selected specification



14 voltage dividers

The standard voltage dividers available for these pmts are tabulated below:

	k	d ₁	d ₂	d ₃	d ₈	d ₉	d ₁₀	d ₁₁	d ₁₂	a
C628A	3R	R	R		R	R	R	R	R	
C628B	3R	R	R		R	1.25R	1.5R	2R	3R	
C628C	300 V	R	R		R	R	R	R	R	
C628D	300 V	R	R		R	1.25R	1.5R	2R	3R	

note: focus connected to d₁

R = 330 kΩ

*mumetal is a registered trademark of Magnetic Shield Corporation

ET Enterprises Limited
45 Riverside Way
Uxbridge UB8 2YF
United Kingdom
tel: +44 (0) 1895 200880
fax: +44 (0) 1895 270873
e-mail: sales@et-enterprises.com
web site: www.et-enterprises.com

ADIT Electron Tubes
300 Crane Street
Sweetwater TX 79556 USA
tel: (325) 235 1418
toll free: (800) 521 8382
fax: (325) 235 2872
e-mail: sales@electron tubes.com
web site: www.electrontubes.com

choose accessories for this pmt on our website

an ISO 9001 registered company

The company reserves the right to modify these designs and specifications without notice. Developmental devices are intended for evaluation and no obligation is assumed for future manufacture. While every effort is made to ensure accuracy of published information the company cannot be held responsible for errors or consequences arising therefrom.

