

78 mm (3") photomultiplier

9822B series data sheet

1 description

The 9822B is a 78mm (3") diameter, end window photomultiplier with blue-green sensitive bialkali photocathode on a plano-concave window, and 10 BeCu dynodes of linear focused design for good linearity and timing.

2 applications

- high energy physics studies
- scintillation spectroscopy

3 features

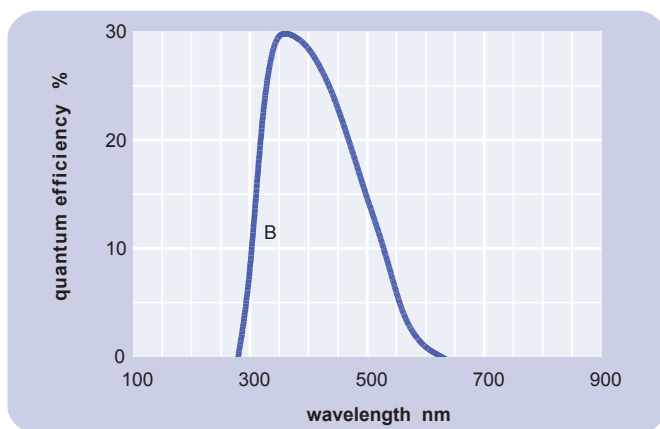
- good SER
- high pulsed linearity
- fast time response

4 window characteristics

9822B borosilicate	
spectral range *(nm)	285 - 630
refractive index (n _s)	1.47
K (ppm)	300
Th (ppb)	550
U (ppb)	450

* wavelength range over which quantum efficiency exceeds 1 % of peak

5 typical spectral response curves

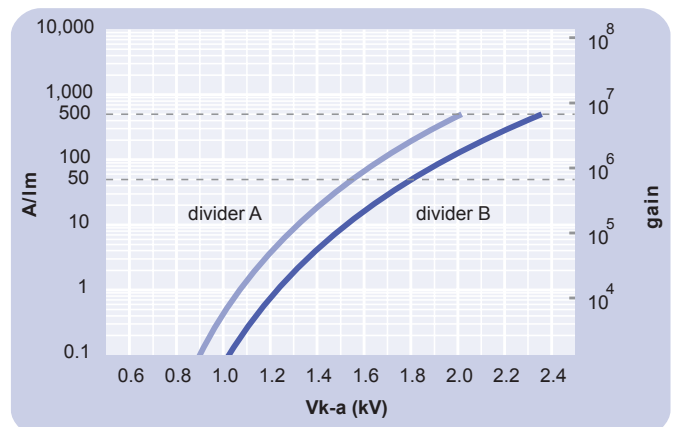


6 characteristics

	unit	min	typ	max
photocathode: bialkali				
active diameter	mm		67	
quantum efficiency at peak	%		30	
luminous sensitivity	μA/lm		75	
with CB filter		8	12	
with CR filter			2	
dynodes: 10LFBBeCu				
anode sensitivity in divider B:				
nominal anode sensitivity	A/lm		50	
max. rated anode sensitivity	A/lm		500	
overall V for nominal A/lm	V		1800	2300
overall V for max. rated A/lm	V		2300	
gain at nominal A/lm	x 10 ⁶		0.7	
dark current at 20 °C:				
dc at nominal A/lm	nA		1	10
dc at max. rated A/lm	nA		10	
dark count	s ⁻¹		500	
pulsed linearity (-5% deviation):				
divider A	mA		50	
divider B	mA		150	
pulse height resolution:				
single electron peak to valley	ratio		2	
rate effect (I_a for Δg/g=1%):				
	μA		1	
magnetic field sensitivity:				
the field for which the output decreases by 50 %				
most sensitive direction	T x 10 ⁻⁴			
temperature coefficient:	% °C ⁻¹		± 0.5	
timing:				
single electron rise time	ns		2.1	
single electron fwhm	ns		3.2	
single electron jitter (fwhm)	ns		2.2	
transit time	ns		38	
weight:	g		250	
maximum ratings:				
anode current	μA			100
cathode current	nA			200
gain	x 10 ⁶			7
sensitivity	A/lm			500
temperature	°C	-30		60
V (k-a) ⁽¹⁾	V			2700
V (k-d1)	V			600
V (d-d) ⁽²⁾	V			450
ambient pressure (absolute)	kPa			202

⁽¹⁾ subject to not exceeding max. rated sensitivity ⁽²⁾ subject to not exceeding max rated V(k-a)

7 typical voltage gain characteristics



8 voltage divider distribution

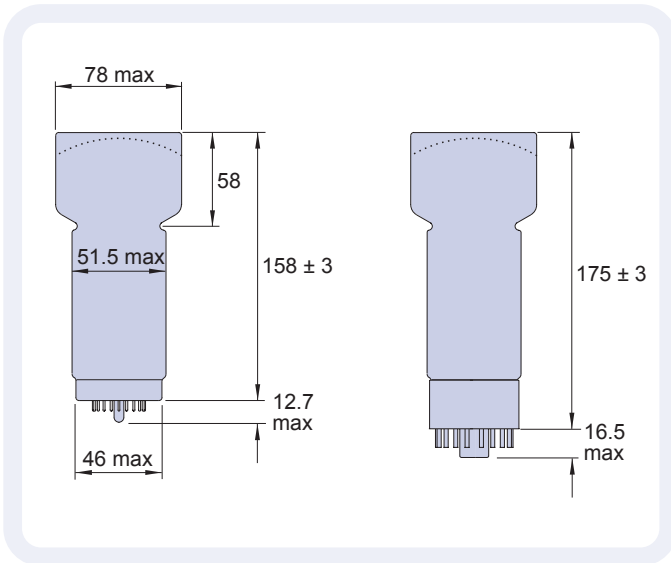
	k	d ₁	d ₂	d ₉	d ₁₀	d ₁₁	d ₁₂	a	
A	450V	R			R	R	R	R	R	Standard
B	450V	R			R	1.25R	1.5R	2R	3R	High Pulsed linearity

note: focus connected to d₁

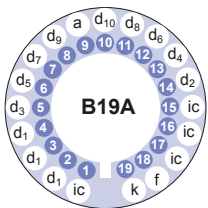
Characteristics contained in this data sheet refer to divider B unless stated otherwise.

9 external dimensions mm

The drawings below show the 9822B in hardpin format and the 9822KB with the B20 cap fitted.



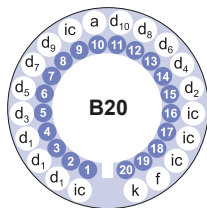
10 base configuration (viewed from below)



B19A hardpin base
(for 9822B)

'ic' indicates an internal connection

note: connect f to d₁



B20 cap
(for 9822KB)

'ic' indicates an internal connection

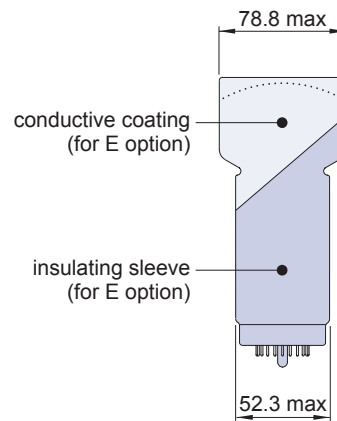
note: connect f to d₁

Our range of B19A sockets is available to suit the hardpin base. Our range of B20 sockets is available to suit the B20 cap. Both socket ranges include versions with or without a mounting flange, and versions with contacts for mounting directly onto printed circuit boards.

11 ordering information

The 9822B meets the specification given in this data sheet. You may order **variants** by adding a suffix to the type number. You may also order **options** by adding a suffix to the type number. You may order product with **specification options** by discussing your requirements with us. If your selection option is for one-off order, then the product will be referred to as 9822A. For a repeat order, ET Enterprises will give the product a two digit suffix after the letter B, for example B21. This identifies your specific requirement.

9822	
base options	
K	capped
options	
E	electrostatic shielding see drawing below
M	supplied with spectral response calibration
specification options	
B	as given in data sheet
A	single order to selected specification
Bnn	repeat order to selected specification



12 voltage dividers

The standard voltage dividers available for these pmts are tabulated below:

9822B	9822KB	k	d ₁	d ₂	d ₆	d ₇	d ₈	d ₉	d ₁₀	a
C638P	C644P	3R	R		R	R	R	R	R	
C638R	C644R	3R	R		R	1.25R	1.5R	2R	3R	
C638S	C644S	450 V	R		R	R	R	R	R	
C638T	C644T	450 V	R		R	1.25R	1.5R	2R	3R	

R = 330 kΩ note: focus connected to d₁

*mumetal is a registered trademark of Magnetic Shield Corporation

ET Enterprises Limited
45 Riverside Way
Uxbridge UB8 2YF
United Kingdom
tel: +44 (0) 1895 200880
fax: +44 (0) 1895 270873
e-mail: sales@et-enterprises.com
web site: www.et-enterprises.com

ADIT Electron Tubes
300 Crane Street
Sweetwater TX 79556 USA
tel: (325) 235 1418
toll free: (800) 399 4557
fax: (325) 235 2872
e-mail: sales@electron tubes.com
web site: www.electrontubes.com

choose accessories for this pmt on our website

an ISO 9001 registered company

The company reserves the right to modify these designs and specifications without notice. Developmental devices are intended for evaluation and no obligation is assumed for future manufacture. While every effort is made to ensure accuracy of published information the company cannot be held responsible for errors or consequences arising therefrom.



© ET Enterprises Ltd, 2012
DS_ 9822B Issue 7 (23/01/12)